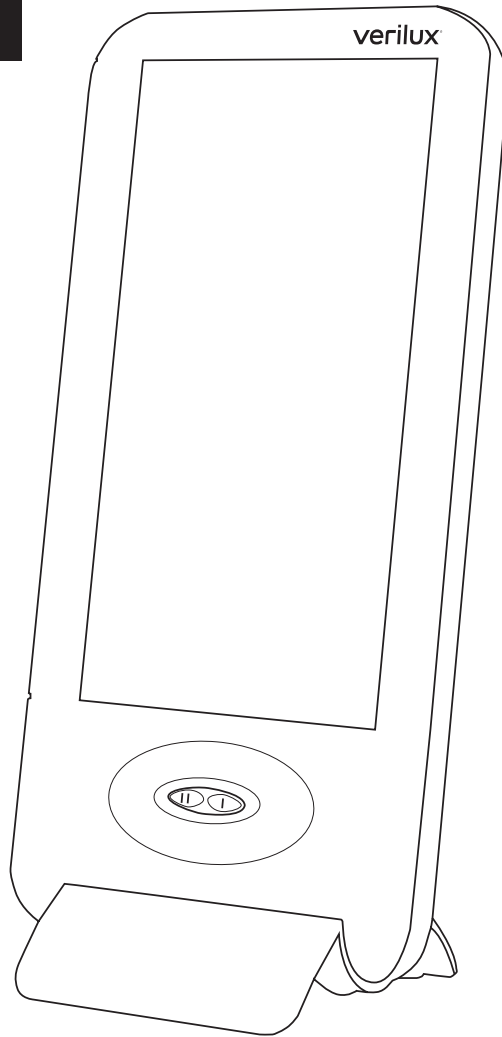


**verilux**<sup>®</sup>



# HappyLight<sup>®</sup> | *Liberty™ Series*

Natural Spectrum<sup>®</sup> Energy Lamp

**Model: VT20**

Edit#: 002	Title: VT20 Manual Trim to A5
Date: 09/06/17	Version: Rev20



Dear Customer,

Thank you for purchasing the Verilux® HappyLight® Liberty™ Series Energy Lamp. You now own an innovative product, manufactured to the highest standards and backed by a one-year limited warranty.

This product brings Natural Spectrum Daylight into your home or office. Many other healthy-lighting products are available online. Visit us on the web at [www.verilux.com](http://www.verilux.com) to learn more about all of our quality Verilux products, or call our toll-free number: 1-800-786-6850.

As a Verilux customer, your satisfaction means everything to us. We look forward to serving you now and in the future.

Have a Bright Day!

A handwritten signature in black ink that reads "Nicholas Harmon".

Nicholas Harmon  
President  
Verilux, Inc.

# Contents

Important Safeguards . . . . . 4

Features. . . . . 5

Benefits . . . . . 6

Device Pretest . . . . . 6

Operation. . . . . 7

    Selecting a Location . . . . . 7

    Instructions for Use . . . . . 7

    Recommended Program . . . . . 8

Bulb Removal and Replacement. . . . . 8

Using the Tilt and Wall Hanging Options. . . . . 9

Changing the Lenses/Lens Replacement . . . . . 10

Care and Cleaning. . . . . 11

Troubleshooting. . . . . 11

Technical Specifications . . . . . 12

Warranty . . . . . 12

Edit#: 002	Title: VT20 Manual Trim to A5
Date: 09/06/17	Version: Rev20

## READ ALL INSTRUCTIONS BEFORE USING

### Important Safeguards

#### **⚠ DANGER:**

- To avoid electrocution, do not operate this device near water.

#### **⚠ WARNING:**

- Do not use with power supply voltage other than 120 VAC.
- Do not defeat the safety purpose of the polarized plug. A polarized plug has two blades with one wider than the other. The wider blade is provided for your safety. If the provided plug does not fit in your outlet, consult an electrician for replacement of the obsolete outlet.
- Close supervision is recommended when these lamps are used by or near children, or others who may not understand the need for these precautions.
- Do not operate lamp in close proximity to flammable or combustible vapors, such as aerosol spray products, or where oxygen is being administered.
- To prevent risk of shock or personal injury when cleaning lamp, make sure you have turned off and unplugged the lamp and allowed sufficient time for the bulb to cool.
- Do not block vents. Vents are necessary for proper function of the electronic ballast; blocking them may cause overheating of the electronics and increase risk of fire.
- Do not shorten or cut the power cord.
- Always unplug lamp before performing bulb replacement or installation and allow sufficient time for the bulb to cool.
- Light bulbs get hot quickly! Do not touch the bulb while the lamp is on.
- This bulb contains a trace amount of mercury. For safe handling, cleanup, disposal and recycling in accordance with applicable laws in US see [www.epa.gov/cfl](http://www.epa.gov/cfl) and in Canada, please visit [www.ec.gc.ca/mercure-mercury/](http://www.ec.gc.ca/mercure-mercury/) and [www.lightrecycle.ca](http://www.lightrecycle.ca)
- This product contains mercury, a chemical known to the State of California to cause birth defects or other reproductive harm.
- Some people may experience light sensitivity to fluorescent lighting. Discontinue use if you experience any discomfort. Follow directions for pretest on page six prior to use.
- Certain medications (e.g., anti-depressants) may induce light sensitivity which may result in discomfort or a level of hyperactivity. Consult with your health care provider before using this product.
- If you have a pre-existing eye condition, consult with your health care provider before using this product.

#### **⚠ CAUTION:**

- This lamp is for indoor use only.
- Avoid placing this lamp in areas that are exposed to direct sunlight or close to heat-radiating products such as heaters. Do not place the lamp on the top of appliances that radiate heat.
- Protect the power cord from being walked on or pinched, particularly at plugs, convenience receptacles and the point where the power cord exits the lamp.
- Do not operate this lamp if it has been damaged in any way. For example, the power supply cord or plug has been damaged, liquid has been spilled on or objects have fallen onto the lamp, the lamp has been exposed to rain or moisture, the lamp does not operate normally or has been dropped.

---

**▲ CAUTION: — continued**

---

- This lamp may cause interference with radios, cordless telephones or devices that use a wireless remote control, such as televisions. If interference occurs, move the lamp away from the device, plug the lamp or the device into a different outlet or move the lamp out of the line of sight of the remote control receiver.
- Unplug lamp during lightning storms or when unused for long periods.
- Avoid placing the lamp in areas that are dusty, humid/moist, lack ventilation or are subject to constant vibration.
- Do not dismantle other than to replace the bulb. There are no user serviceable parts in these lamps.
- This lamp is not for use with light dimmers, timers, motion detectors, voltage transformers or extension cords.
- Do not leave the lamp unattended during use.
- Do NOT use a lubricating agent in assembly. Please see troubleshooting section if you are having difficulty assembling your lamp.
- Use only the type of bulb and maximum wattage indicated by Verilux®.
- Never cover the lamp or place anything on top of it when it is in operation.
- Do not use solvents or cleaners containing abrasives, or ammonia-based cleaners on this product.
- After cleaning the lamp, all moisture should be properly wiped away and dried before restoring power.

**SAVE THESE INSTRUCTIONS**

**Features**

Your new Verilux HappyLight Energy Lamp is a remarkable product with many features and benefits. It:

- delivers Natural Spectrum® Daylight to your home, office, dorm room or apartment.
- cues your body's own energy enhancers to make you more alert and productive.
- has up to 10,000 LUX\* of bright Natural Spectrum light to lift spirits, sharpen concentration and improve energy levels.
- permits a customized therapy regimen, with two lenses, a high/low switch and a tilt feature to put as much light as you want where you want it.
- is designed with a compact shape and small footprint to make it easy to place in a convenient location or hung on a wall.
- includes an energy-efficient, cool-burning 36-watt bulb that lasts 10,000 hours.
- includes a best-in-class power system with electronic ballast and patented Flicker Elimination Technology® to assure no-buzz operation and instant-on, flicker-free illumination.

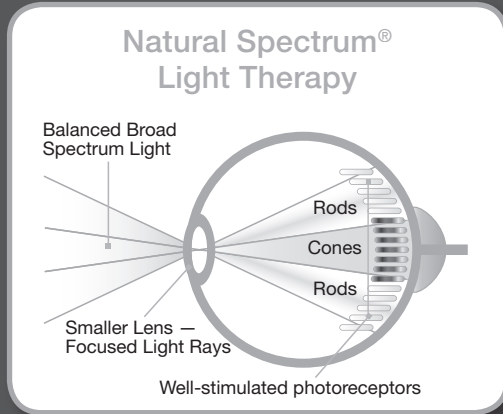
\*At "high" intensity setting with high-energy lens: 10,000 (scotopic measurement) at 10" from lamp; 10,000 (photopic measurement) at 6".

Edit#: 002	Title: VT20 Manual Trim to A5
Date: 09/06/17	Version: Rev20

## Benefits

Verilux HappyLights provide broad spectrum light therapy to stimulate all of the eye's photoreceptors: cones, rods and the newly discovered melanopsin. HappyLights offer photopic light (primarily stimulating the cones) and scotopic light (primarily stimulating the rods) to reduce the size of the pupil, relaxing the eye for more comfortable light therapy. Melanopsin helps set the body's daily cycles and is triggered by Natural Spectrum Light. Scientists have demonstrated that bright light therapy can act like daylight to restore balance, mood and energy.

For more information and research on light therapy, visit [www.verilux.com](http://www.verilux.com).



## Device Pretest

To help determine if you have sensitivity to light treatment, we recommend that you perform this pretest upon first use of this device:

- Step 1 - Start this test with the comfort lens. Turn on the lamp and position it about 18 inches from your face. (Do not look directly into the lamp.)
- Step 2 - Operate the lamp for approximately 10 minutes and turn it off. If the light has caused any discomfort, stop using the lamp and consult a doctor. If you have no discomfort, you may consider gradually decreasing the distance from the lamp and increasing the use time, which results in more lamp intensity and greater effect. You also may change from the comfort lens to the high-energy lens and repeat the device pretest. For your initial sessions, you should monitor the degree of any discomfort and accordingly adjust the time used, lens used and lamp location.

**▲ WARNING:** Some people may experience light sensitivity to fluorescent lighting. Discontinue use if you experience any discomfort.

**▲ WARNING:** Certain medications may induce light sensitivity (e.g., anti-depressants) which may result in discomfort or a level of hyperactivity. Consult with your health care provider before using this product.

**▲ WARNING:** If you have a pre-existing eye condition, contact your health care provider prior to use.

# Operation

## Selecting a Location

- Place your Verilux HappyLight Energy Lamp on a table or other flat surface above, at or below eye level depending on your desired result.
- For best performance, place the HappyLight as close as 6 inches but within 24 inches of your face.
- If you have sensitive eyes or want to use the highest output settings and lens, you may find it preferable to place the lamp above you and use the tilt feature.

**▲ WARNING:** This product contains magnets. If you have a pacemaker, implantable defibrillator, insulin pump, any other type of electro-mechanical device, or brain shunts that contain magnets, keep sufficient distance (about 6 inches) between the device and the lamp.

**▲ WARNING:** Do not block vents. Vents are necessary for proper function of the electronic ballast. Blocking them may cause overheating of the electronics and increase risk of fire.

**▲ CAUTION :** Avoid placing this lamp in areas that are exposed to direct sunlight or close to heat-radiating products such as heaters. Do not place the lamp on top of appliances that radiate heat.

## Instructions for Use

Use consists of sitting close to the HappyLight Energy Lamp with your eyes open. While staying oriented toward the light, feel free to engage in other activities such as reading, writing, hobbies and crafts, sewing, needlepoint, applying make-up or working at your computer or desk. You may tilt the lamp as required.

1. Turn on the lamp and allow a few minutes for the bulb to achieve full brightness.
2. The HappyLight Energy Lamp should be positioned as close as 6 inches, but within 24 inches of your face and should be slightly off-center. (See diagram.) *Note: Do not look directly into the lamp.*
3. Consider using the lamp on the high setting in the morning and on the low setting in the afternoon.

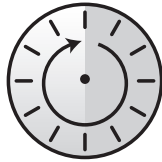


The light from the HappyLight Energy Lamp must be directed at your eyes; therefore, your eyes must be open to achieve the full benefit. *Note: Tinted glasses reduce the amount of light reaching your eyes.*

When you are feeling sluggish and lethargic, spend more time with the light, sit closer to it or adjust the settings to increase the intensity. If you experience edginess or are over-stimulated, move the light farther away or reduce session times.

## Operation — continued

### Minimum Recommended Program



30 minutes  
to  
1 hour\*/day

Researchers at the National Institute of Health demonstrated that white light, in a range of 2,500 to 10,000 LUX (a measurement of light intensity), helped to reverse the symptoms of “Winter Blues.”

Exposure strategies affect people differently. We all have different reactions to our environment. It is important to establish a distance and schedule that is comfortable for you. We recommend you use the light regularly and at about the same time each day. It is not necessary to sit in front of the lamp continuously. You can divide the time into several mini-sessions. Continue to use the HappyLight daily to feel an improvement in your mood and activity level.

When you are feeling sluggish and lethargic, spend more time with the light, sit closer to it or increase the light intensity by switching to the high-energy lens. If you feel a sort of edginess, as though you have consumed too much coffee, it may be time to turn off the unit or reduce the intensity of the light.

\* Recommended exposure time is a function of output and distance. Individual results may vary. Also, refer to the warnings at the bottom of page 6 of this manual.

**▲ WARNING:** Some people may experience light sensitivity to fluorescent lighting. Discontinue use if you experience any discomfort. Follow directions for pretest on page 6 prior to use.

**▲ WARNING:** Certain medications may induce light sensitivity (e.g., anti-depressants) which may result in discomfort or a level of hyperactivity. Consult with your health care provider before using this product.

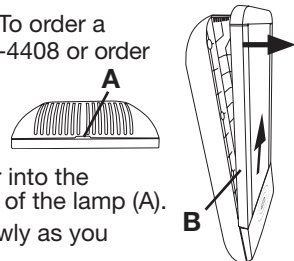
**▲ WARNING:** If you have a pre-existing eye condition, contact your health care provider prior to use.

## Bulb Removal and Replacement

Your HappyLight uses a bulb manufactured only by Verilux. To order a replacement bulb, please call Verilux, toll-free, at 1-800-454-4408 or order online at <http://www.verilux.com/customer-service>

### To Replace the Bulb:

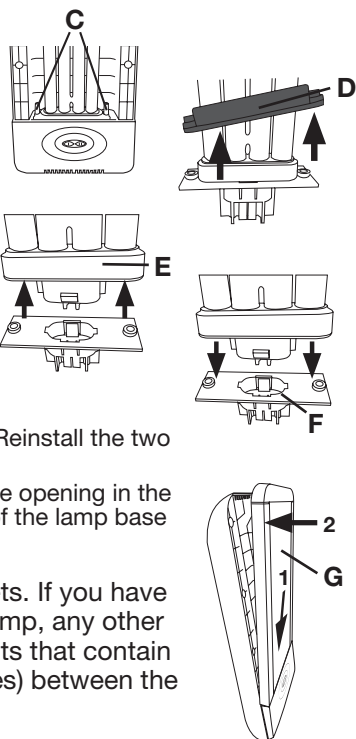
1. Unplug the lamp from power outlet.
2. Remove the lens cover by inserting a coin or your finger into the opening between the lens and the lamp body at the top of the lamp (A).
3. Gently pull the lens away from the lamp body, lifting slowly as you pull (B). Place the lens aside – out of harm’s way.





## Bulb Removal and Replacement — continued

4. Unscrew the two blue thumb screws that hold the black bulb holder and the bulb itself (C).
5. Gently pull up the black bulb holder to expose the base of the bulb (D).
6. Holding the bulb at its base, gently lift out the old bulb, pulling it slowly and gently away from the lamp body as you lift it upward (E).
7. Remove the black bulb holder by lifting it over the top of the old bulb.
8. Place the black bulb holder over the top of the new bulb.
9. Gently insert the new bulb into the receptacle from which you removed the old bulb (F). A “click” sound will indicate the bulb is properly installed.
10. Lower the black bulb holder onto the bulb base. Reinstall the two blue thumb screws.
11. Replace the lens, first by inserting its base into the opening in the lamp base and then by aligning its top with that of the lamp base (G). Snap lens into place.

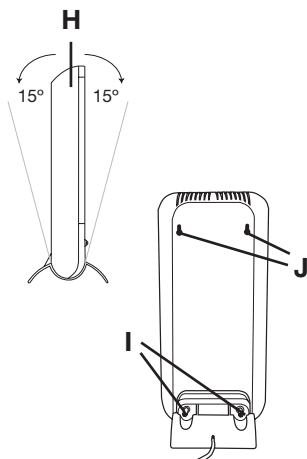


**▲ WARNING:** This product contains magnets. If you have a pacemaker, implantable defibrillator, insulin pump, any other type of electro-mechanical device, or brain shunts that contain magnets, keep sufficient distance (about 6 inches) between the implanted device and the lamp.

## Using the Tilt and Wall Hanging Options

The HappyLight Liberty Series Energy Lamp offers several ways to direct light where you want it, so you can have more freedom of movement without compromising the quality of the therapy:

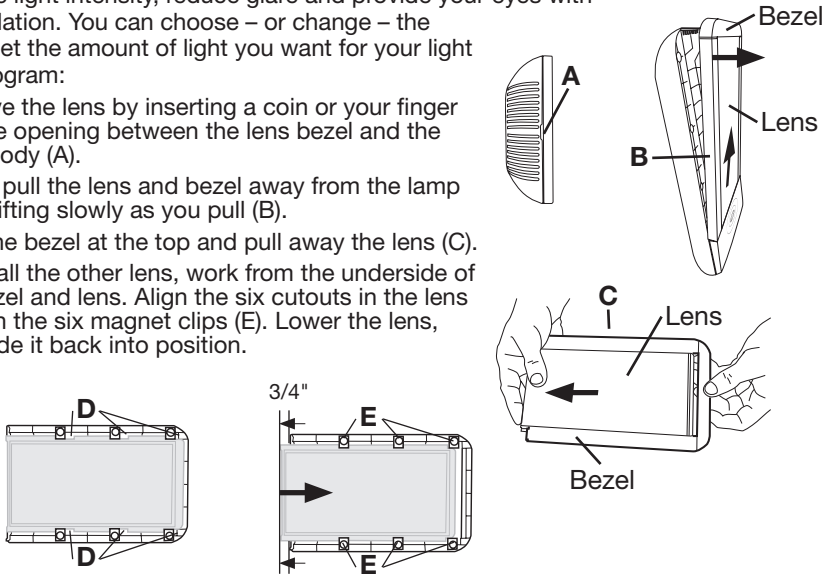
1. Your HappyLight has a tilt range of 15° forward and 15° backward (H): Simply loosen the two blue thumb screws on the back of the lamp (I), adjust the lamp to the position you want, and re-tighten the thumb screws.
2. For wall hanging, the back of your HappyLight has two openings designed to receive screw heads (J). Remove the base by unscrewing the two blue thumb screws on the back of the unit. Store the base and thumb screws. Drill two holes, level and 3½” (9cm) apart at the location you desire, install the screws, hang the lamp and plug it in. Install the screws into studs or use screw anchors as required.



## Changing the Lenses/Lens Replacement

Your HappyLight Liberty Series Energy Lamp comes with interchangeable comfort and high-energy lenses, inserted in a bezel and held with magnets to the lamp body, that regulate the light intensity, reduce glare and provide your eyes with even stimulation. You can choose – or change – the covers to get the amount of light you want for your light therapy program:

1. Remove the lens by inserting a coin or your finger into the opening between the lens bezel and the lamp body (A).
2. Gently pull the lens and bezel away from the lamp body, lifting slowly as you pull (B).
3. Hold the bezel at the top and pull away the lens (C).
4. To install the other lens, work from the underside of the bezel and lens. Align the six cutouts in the lens (D) with the six magnet clips (E). Lower the lens, and slide it back into position.



**⚠ WARNING:** This product contains magnets. If you have a pacemaker, implantable defibrillator, insulin pump, any other type of electro-mechanical device, or brain shunts that contain magnets, keep sufficient distance (about 6 inches) between the device and the lamp.

Your lenses will yellow over time and should be replaced annually. Contact Verilux customer service at 1-800-786-6850 or order online at [www.verilux.com](http://www.verilux.com).

### Keep Your Therapy Sessions Clear, not Cloudy. For peak performance, replace the lamp's bulb and lenses every year.

Your energy lamp is designed to provide just the right illumination for your light therapy, and that includes filtering the light to reduce glare and block unwanted ultra-violet (UV) rays. A full season of use will reduce the light output of the bulb, and the UV rays will yellow the filters and compromise their performance. To rebalance your lamp and restore it to optimal performance, replace the bulb and lenses on an annual basis.\*

Order these parts – and other Verilux products and accessories – at [www.verilux.com](http://www.verilux.com).

Part	Product number	Price
Bulb	CFML36VLX	\$24.95
Bulb/Two-Lens Combo Pack	VT20LSP	\$38.95

\*In addition to replacing the bulb, have a spare on hand to be sure you can continue improving your mood and energy without interruption.

## Care and Cleaning

Your lamp is made from high-quality materials that will last for many years with minimum care. You may want to periodically clean the lamp using a mild non-abrasive cleaner and soft cloth. When cleaning, make sure you have turned off and unplugged the unit and allowed sufficient time for the unit to cool.

**▲WARNING:** To prevent risk of shock or personal injury when cleaning lamp, make sure you have turned off and unplugged the lamp and allowed sufficient time for the bulb to cool.

**▲CAUTION:** Clean only with a soft dry cloth – do not use solvents or cleaners containing abrasives or ammonia.

**▲CAUTION:** After cleaning the lamp, wipe away all moisture and let the lamp dry completely before restoring power.

## Troubleshooting

Before requesting service on your Verilux lamp, please:

- Make sure all power connectors, cords and plugs are inserted fully and securely.
- Be sure the bulb is securely seated in the socket. (See pages 8 and 9.)
- Make sure there is power to the wall outlet, or try another outlet – one that is not connected to a dimmer.

PROBLEM	CHECK	SOLUTION
Light Won't Come On	Has the plug come loose?	Insert plug securely into wall outlet.
	Is the bulb old?	Check bulb for blackening/darkening at bottom of spiral where it joins the base (an indicator of bulb life) and replace bulb.
	Is the bulb connected securely into socket?	Be sure the bulb is securely seated into socket. Repeat the bulb installation process. <b>▲CAUTION:</b> DISCONNECT LAMP FROM OUTLET PRIOR TO REPEATING THE BULB INSTALLATION PROCESS.
Blackening/Darkening at Ends of Bulb	Is the bulb new?	Sometimes when a new bulb is turned on for the first time the tube will darken, but this will fade after a few minutes.
	Is the bulb old?	With older bulbs, darkening of the tube indicates end of bulb life. (This doesn't affect operation except to reduce the amount of light available since the phosphor in that area has become inactive.) Bulb replacement is recommended.
Light Flickers	Has the plug come loose?	Insert plug securely into wall outlet.
	Is the bulb connected securely to the socket?	Be sure the bulb is securely seated into the socket. Repeat the bulb installation process. <b>▲CAUTION:</b> DISCONNECT LAMP FROM OUTLET PRIOR TO REPEATING THE BULB INSTALLATION PROCESS.
	Is the lamp connected to a dimmer switch?	Connect lamp plug only to wall outlet without dimmer switch.
Light won't tilt	Are the thumb screws too tight?	Loosen the two blue thumb screws on the back of the unit, adjust the lamp to the desired angle and re-tighten the two thumb screws.

## Technical Specifications

### HappyLight Liberty Series Natural Spectrum Energy Lamp

**Environment:** Operating Temperature: 10 to 30°C (50 to 86°F) Storage Temperature: -20 to 50°C (-4 to 122°F) Relative Humidity: 20 to 90% non-condensing

**Bulb:** Replacement bulb: 36 watt 10,000-hour bulb. Replace with Verilux brand only, Model number CFML36VLX by calling 1-800-454-4408 or visiting [www.verilux.com](http://www.verilux.com).

**Power:** Input Power: 120 VAC, 60Hz, 0.50 A

**ETL Listed in Canada and the USA**

## One-Year Limited Warranty

**ATTENTION! ONCE OPENED, PLEASE DO NOT RETURN THIS PRODUCT TO THE STORE WHERE IT WAS PURCHASED FOR REPAIR OR REPLACEMENT!**

Many questions can be answered by visiting [www.verilux.com](http://www.verilux.com), or you may call our Customer Service Department at 1-800-786-6850 during normal business hours.

This limited warranty is provided by Verilux, Inc., 340 Mad River Park, Waitsfield, VT 05673

Verilux warrants this product to be free from defects in material and workmanship for a period of one year from the date of the original retail purchase from Verilux or an authorized Verilux distributor. **Proof of purchase is required for all warranty claims.** During the limited warranty period, Verilux, Inc., will, at its option, repair or replace defective parts of this product at no charge to the customer, subject to these limitations: This limited warranty does not include any postage, freight, handling, insurance or delivery fees. This warranty does not cover damage, defect or failure caused by or resulting from accident, external destruction, alteration, modification, abuse, misuse or misapplication of this product.

This warranty does not cover damage to the product resulting from return shipping or handling. Shipping insurance is recommended to help protect your product.

**Return Authorization is required for all returns.** To obtain a Return Authorization, please contact the Verilux Customer Service Department at 1-800-786-6850.

If, during the first year of ownership, this product fails to operate properly, it should be returned as specified at [www.verilux.com/warrantyreplacement](http://www.verilux.com/warrantyreplacement) or as instructed by a Verilux customer service representative at 1-800-786-6850.

**Note:** *Verilux recommends using a quality surge suppressor on all electronic equipment. Voltage variations and spikes can damage electronic components in any system. A quality suppressor can eliminate the vast majority of failures attributed to surges. Suppressors may be purchased at electronics stores.*

Due to ongoing improvements, actual product may have slight variations from the product described in this manual.

Please visit our website at: [www.verilux.com](http://www.verilux.com) or call our Customer Service Department at  
**1-800-786-6850**

Representatives are available Monday – Friday, 9am – 5pm EST

# verilux®

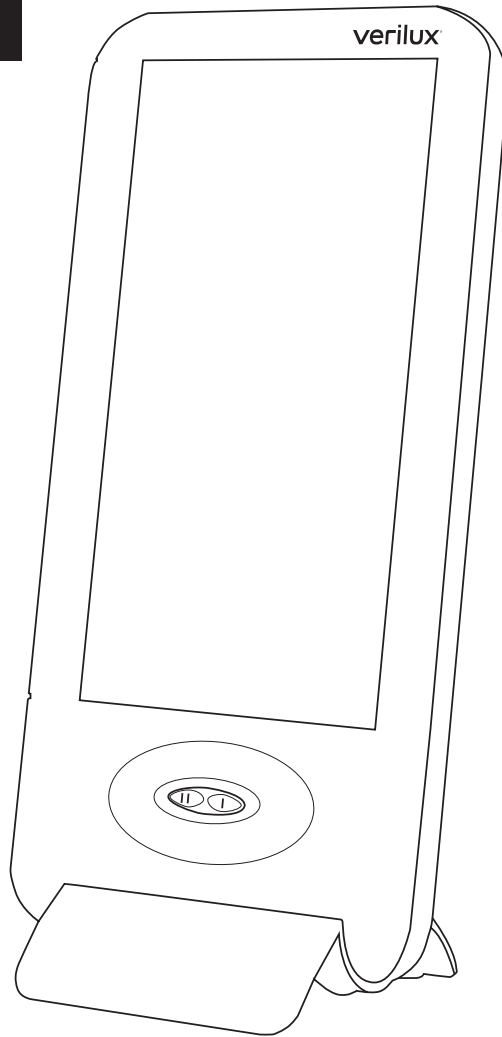
340 Mad River Park, Waitsfield, VT 05673

Printed in China for: Verilux, Inc.

© Copyright 2017 Verilux, Inc. All rights reserved.

12

**verilux**<sup>®</sup>



# HappyLight<sup>®</sup> | Liberty<sup>MC</sup>

Lampe d'énergie

**Modèle : VT20**

Edit#: 002	Title: VT20 Manual Trim to A5
Date: 09/06/17	Version: Rev20

# verilux®

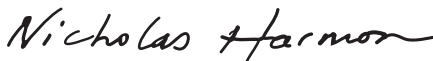
Chère cliente/Cher client,

Nous vous remercions d'avoir acheté la lampe énergisante HappyLight<sup>MD</sup> de la gamme Liberty<sup>MC</sup> de Verilux<sup>MD</sup>. Vous possédez maintenant un produit innovant, fabriqué selon les normes les plus élevées en plus d'une garantie limitée d'un (1) an.

Cette lampe à spectre naturel amène la lumière du jour à l'intérieur de votre maison ou de votre bureau. Beaucoup d'autres produits d'éclairage sains sont disponibles en ligne. Visitez notre site Web [www.verilux.com](http://www.verilux.com) et en savoir plus sur tous nos produits Verilux de qualité, ou appelez notre numéro vert : 1-800-786-6850.

En tant que client Verilux, nous accordons beaucoup d'importance à votre satisfaction. Nous sommes fiers de pouvoir être à votre service aujourd'hui et demain.

Bonne journée lumineuse!



Nicholas Harmon  
Président  
Verilux, Inc.

## Table des matières

Mesures de sécurité importantes . . . . .	4
Caractéristiques . . . . .	6
Avantages . . . . .	6
Essai préliminaire du dispositif . . . . .	7
Fonctionnement . . . . .	7
Choisir un emplacement. . . . .	7
Mode d'emploi . . . . .	8
Programme recommandé. . . . .	9
Retrait et remplacement de l'ampoule . . . . .	10
Options d'inclinaison et de suspension murale . . . . .	11
Changement des lentilles/remplacement de la lentille . . . . .	11
Soins et nettoyage . . . . .	13
Dépannage . . . . .	13
Données techniques . . . . .	14
Garantie. . . . .	15

## LISEZ TOUTES LES INSTRUCTIONS AVANT L'UTILISATION

### Mesures de sécurité importantes

#### **▲ DANGER:**

- N'utilisez pas cet appareil à proximité de l'eau pour éviter tout risque d'électrocution.

#### **▲ MISE EN GARDE:**

- N'utilisez cette lampe qu'avec une tension de 120 V c.a.
- Ne forcez pas la fonction de sécurité de la fiche polarisée. Une prise polarisée a deux lames dont une est plus large que l'autre. La lame plus large est fournie pour votre sécurité. Si la prise fournie ne convient pas à votre prise, demandez à un électricien de remplacer la prise obsolète.
- Une surveillance étroite est recommandée lorsque cette lampe est utilisée par ou près des enfants, ou par d'autres individus qui peuvent ne pas comprendre la nécessité de ces précautions.
- N'utilisez pas la lampe à proximité de sources combustibles ou inflammables, comme les aérosols, ou là où de l'oxygène est administré.
- Pour empêcher les risques de choc ou de blessure quand vous nettoyez la lampe, assurez-vous d'avoir éteint et débranché la lampe, et d'avoir laissé l'ampoule suffisamment refroidir.
- Ne bloquez pas les bouches d'aération. Elles sont nécessaires au bon fonctionnement du ballast électronique ; si vous les bloquez, le système électronique risque de surchauffer et de provoquer un incendie.
- Ne raccourcissez ni ne coupez le cordon d'alimentation.
- Débranchez toujours la lampe avant d'installer ou de remplacer une ampoule et attendez suffisamment de temps pour qu'elle refroidisse.
- Les ampoules chauffent rapidement ! Ne touchez pas l'ampoule quand la lampe est allumée.
- L'ampoule contient des traces de mercure. Pour une manipulation, un nettoyage, une mise au rebut et un recyclage en toute sécurité et en conformité avec les lois en vigueur au É.-U. voir [www.epa.gov/cfl](http://www.epa.gov/cfl) et au Canada, veuillez consulter le site [www.ec.gc.ca/mercure-mercury/](http://www.ec.gc.ca/mercure-mercury/) et [www.lighrecycle.ca](http://www.lighrecycle.ca)
- Ce produit contient du mercure, un produit chimique connu de l'État de Californie pour causer des anomalies congénitales ou d'autres dommages à la reproduction.
- Certaines personnes peuvent être légèrement sensibles à l'éclairage fluorescent. Cessez d'utiliser l'appareil si vous éprouvez des malaises. Suivez les instructions pour le test à la page 8 avant l'utilisation.
- Certains médicaments peuvent créer une sensibilité à la lumière (par ex., les antidépresseurs) et provoquer un malaise ou un niveau d'hyperactivité. Consultez votre fournisseur de soins de santé.
- Si vous avez un problème oculaire, consultez votre fournisseur de soins de santé avant d'utiliser la lampe.

#### **▲ ATTENTION :**

- La lampe ne doit être utilisée qu'à l'intérieur.
- Évitez de placer la lampe directement à la lumière du soleil ou à proximité d'une source de chaleur, comme les radiateurs. Ne la placez pas sur des appareils qui dégagent de la chaleur.
- Protégez le cordon d'alimentation contre les piétinements ou les pincements, en particulier à la prise, aux réceptacles pratiques et la section où le cordon d'alimentation sort de la lampe.



---

**▲ATTENTION : - suite**

---

- Si la lampe a été endommagée de façon quelconque, par exemple, le cordon ou la prise d'alimentation a été endommagé, du liquide a été renversé ou des objets sont tombés dessus, la lampe a été exposée à la pluie ou à l'humidité, la lampe ne fonctionne pas normalement ou elle est tombée.
- La lampe peut provoquer des interférences avec les radios, les téléphones ou les appareils sans fil qui utilisent une télécommande sans fil, comme les téléviseurs. En cas d'interférence, déplacez la lampe loin de l'appareil, branchez-la ou l'appareil sur une autre prise ou déplacez la lampe hors de la visibilité directe du récepteur de la télécommande.
- Débranchez la lampe pendant les orages ou lorsqu'elle est inutilisée pendant de longues périodes.
- Évitez de placer la lampe dans des endroits poussiéreux, humides, manquant de ventilation ou sujets à une vibration constante.
- Ne démontez pas la lampe à moins de remplacer l'ampoule. Il n'y a pas de pièces utilisables pour l'utilisateur.
- La lampe ne doit pas être utilisée avec des gradateurs d'éclairage, des minuteries, des détecteurs de mouvement, des transformateurs de tension ou des rallonges électriques.
- Ne laissez pas la lampe sans surveillance quand elle n'est pas utilisée.
- N'UTILISEZ PAS d'agent lubrifiant dans l'assemblage. Veuillez consulter la section sur le dépannage si vous avez des difficultés à assembler votre lampe.
- Utilisez uniquement le type d'ampoule et la puissance maximale indiqués par Verilux®.
- Ne couvrez jamais la lampe et ne placez rien dessus lorsqu'elle est utilisée.
- N'utilisez pas de solvants ou de nettoyeurs contenant des produits abrasifs ou à base d'ammoniaque.
- Après avoir nettoyé la lampe, enlevez toute trace d'humidité et essuyez-la soigneusement avant de la rebrancher.

**CONSERVEZ CES INSTRUCTIONS**

Edit#: 002	Title: VT20 Manual Trim to A5
Date: 09/06/17	Version: Rev20

## Caractéristiques

Votre nouvelle lampe d'énergie HappyLight de Verilux est un produit avec de remarquables caractéristiques et avantages. Elle :

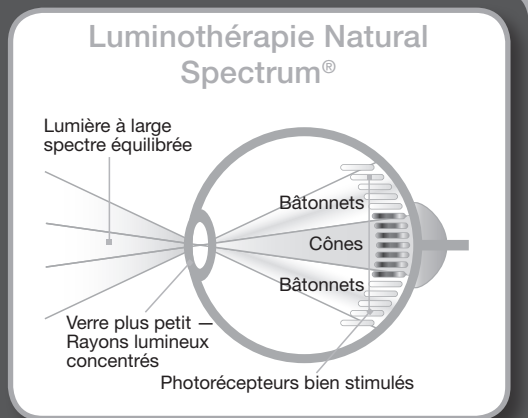
- diffuse une lumière du jour Natural Spectrum dans votre maison, bureau, chambre ou appartement.
- active les amplificateurs énergétiques de votre corps pour vous rendre plus alerte et productif.
- fournit jusqu'à 10 000 LUX\* de lumière vive Natural Spectrum pour remonter le moral, améliorer la concentration et les niveaux d'énergie.
- permet d'obtenir un régime de thérapie personnalisé grâce aux deux lentilles, un interrupteur d'intensité Élevé/Faible, une caractéristique d'inclinaison pour diriger la luminosité maximale là où vous le désirez.
- a été dessinée pour être compacte et ne laisser qu'une petite empreinte pour que vous puissiez la déposer dans un endroit pratique ou pour la suspendre au mur.
- comprend une ampoule écoénergétique de 36 watts à faible dégagement de chaleur qui dure 10 000 heures.
- est dotée du meilleur circuit d'alimentation de sa catégorie avec un ballast électronique et la Flicker Elimination Technology® pour garantir un fonctionnement sans bourdonnement et une lumière instantanée sans clignotement.

\* Au réglage d'intensité « haut » avec le verre à haute énergie : 10 000 LUX (mesure scotopique) / à une distance de 10 po de la lampe; 10 000 (mesure photopique) de 6 po.

## Avantages

HappyLight de Verilux offre un large spectre de luminothérapie pour stimuler tous les photorécepteurs de l'œil : les cônes, les bâtonnets et la mélanopsine récemment découverte. HappyLight offre une lumière photopique (stimulant principalement les cônes) et une lumière scotopique (stimulant principalement les bâtonnets) pour réduire la pupille en reposant l'œil pour une luminothérapie plus confortable. La mélanopsine aide à régler les cycles quotidiens du corps et est déclenchée par la lumière Natural Spectrum. Des scientifiques ont démontré que la luminothérapie peut agir comme la lumière du jour pour rétablir l'équilibre, l'humeur et l'énergie.

Pour plus de renseignements et de recherches concernant la luminothérapie, visitez [www.verilux.com](http://www.verilux.com).



## Essai préliminaire du dispositif

Pour vous aider à déterminer si vous êtes sensibles à la luminothérapie, nous vous recommandons de faire un essai préliminaire avant la première utilisation de ce dispositif :

Étape 1 - Commencez cet essai en utilisant la lentille de confort. Allumez la lampe et placez-la à une distance d'environ 46 cm de votre visage. (Ne regardez pas directement la lampe.)

Étape 2 - Faites fonctionner la lampe pendant environ 10 minutes puis éteignez-la. Cessez l'utilisation de cette lampe et consultez un médecin si vous éprouvez un certain inconfort. Si vous n'éprouvez pas d'inconfort, vous pouvez considérer une utilisation graduelle en rapprochant la lampe et en augmentant la durée d'utilisation afin de recevoir une meilleure intensité provenant de la lampe et ressentir des effets plus bénéfiques. Vous pouvez également changer la lentille de confort par la lentille à haute énergie et répéter l'essai préliminaire du dispositif. Lors de vos premières séances, vous devez surveiller votre niveau d'inconfort et régler la durée d'utilisation, la lentille utilisée et l'emplacement de la lampe.

**▲ MISE EN GARDE:** Certaines personnes peuvent éprouver une légère sensibilité à l'éclairage fluorescent. Cesser l'utilisation si vous ressentez un inconfort.

**▲ MISE EN GARDE:** Certains médicaments peuvent causer une légère sensibilité (comme les antidépresseurs) et provoquer un inconfort ou un niveau d'hyperactivité. Consulter un médecin avant d'utiliser ce produit.

**▲ MISE EN GARDE:** Si vous souffrez d'une maladie oculaire existante, consultez un médecin avant d'utiliser ce produit.

## Fonctionnement

### Choisir un emplacement

- Déposez la lampe énergisante HappyLight de Verilux sur une table ou une autre surface plane, au-dessus ou sous la hauteur des yeux selon le résultat que vous désirez obtenir.
- Vous pouvez placer la lampe à une distance aussi proche que 15,2 cm de votre visage, mais évitez de l'éloigner à plus de 61 cm.
- Si vos yeux sont sensibles ou si vous désirez utiliser les réglages plus élevés de sortie et de la lentille, vous trouverez peut-être plus avantageux de positionner la lampe au-dessus de votre corps et d'utiliser la caractéristique d'inclinaison.

**▲ MISE EN GARDE:** Ce produit renferme des aimants. Gardez une distance suffisante d'environ 15,2 cm entre votre corps et la lampe si vous avez un

Edit#: 002	Title: VT20 Manual Trim to A5
Date: 09/06/17	Version: Rev20

## Fonctionnement - suite

stimulateur cardiaque, un défibrillateur cardiaque, une pompe à insuline, tout autre dispositif électromécanique ou des aimants pour la stimulation du cerveau.

**▲MISE EN GARDE:** Ne bloquez pas les événements du boîtier. Ces événements sont nécessaires au bon fonctionnement du ballast électronique. Une surchauffe des composants électroniques se produira si ces événements sont bloqués augmentant ainsi le risque d'incendie.

**▲ATTENTION :** Évitez de déposer cette lampe dans des endroits exposés directement aux rayons du soleil ou près d'articles dégagant de la chaleur, comme les radiateurs. Ne déposez pas cette lampe sur le dessus d'appareils irradiant de la chaleur.

### Mode d'emploi

L'utilisation de cette lampe énergisante HappyLight consiste à vous asseoir près de celle-ci et de garder les yeux ouverts. Gardez votre corps orienté vers la lampe et n'hésitez pas à entreprendre d'autres activités comme la lecture, l'écriture, des passe-temps et de l'artisanat, de la couture, de la tapisserie sur canevas, vous maquiller ou travailler sur votre bureau ou à l'ordinateur. Vous pouvez incliner la lampe pour répondre à vos besoins.

1. Allumez la lampe et attendez quelques minutes pour que l'ampoule atteigne sa pleine puissance d'éclairage.
2. La lampe énergisante HappyLight doit être placée à une distance aussi proche que 15,2 cm de votre visage, mais évitez de l'éloigner à plus de 61 cm, et légèrement décentrée. (Voir l'illustration.) *Remarque : Ne regardez pas directement la lampe.*
3. Considérez le réglage élevé de la lampe pour l'utilisation matinale et le réglage faible pour l'après-midi.



La lumière de la lampe énergisante HappyLight doit être dirigée vers vos yeux; vous devez toutefois garder les yeux ouverts pour bénéficier de tous ses avantages. *Remarque: Des lunettes colorées réduisent la quantité de lumière captée par vos yeux.*

Lorsque vous vous sentez apathique ou léthargique, augmentez la durée d'utilisation, assoyez-vous plus près ou ajustez le réglage pour augmenter l'intensité. Reculez la lampe ou diminuez la durée des séances si vous ressentez de l'impatience ou de la surexcitation.

## Fonctionnement - suite

### Programme minimum recommandé



30 minutes  
à 1 heure  
par jour

Les chercheurs de l'Institut national de la santé ont démontré que la lumière blanche diffusée selon une échelle de 2 500 à 10 000 lux (une mesure utilisée pour déterminer l'intensité de lumière) aide à contrecarrer les symptômes occasionnés par la « déprime hivernale ».

Les effets des stratégies d'exposition sont différents d'une personne à l'autre. Nous avons tous des réactions différentes selon notre environnement. Il est important d'établir une distance et un horaire pratiques selon vos besoins. Nous recommandons d'utiliser régulièrement la lampe et à la même heure de la journée. Il n'est pas nécessaire de vous asseoir devant la lampe pendant cette période. Vous pouvez diviser la durée en plusieurs séances courtes. Utilisez quotidiennement la lampe HappyLight afin d'en ressentir les bienfaits sur votre humeur et votre niveau d'activité.

Lorsque vous vous sentez apathique ou léthargique, augmentez la durée d'utilisation, assoyez-vous plus près ou ajustez le réglage pour augmenter l'intensité en installant la lentille à haute énergie. Si vous ressentez un sentiment d'impatience, comme si vous aviez bu trop de café, vous devriez éteindre la lampe ou réduire l'intensité lumineuse.

\*Durée d'exposition recommandée selon la sortie et la distance. Les résultats peuvent varier d'une personne à l'autre. Lisez également les avertissements au bas de la page 6 de ce manuel.

**▲ MISE EN GARDE:** Certaines personnes peuvent éprouver une légère sensibilité à l'éclairage fluorescent. Cesser l'utilisation si vous ressentez un inconfort. Suivre les instructions à la page 8 pour faire une évaluation avant l'utilisation.

**▲ MISE EN GARDE:** Certains médicaments peuvent causer une légère sensibilité (comme les antidépresseurs) et provoquer un inconfort ou un niveau d'hyperactivité. Consulter un médecin avant d'utiliser ce produit.

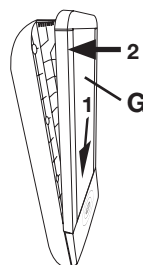
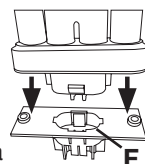
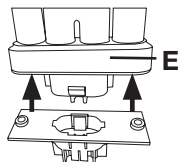
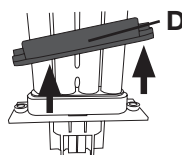
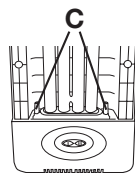
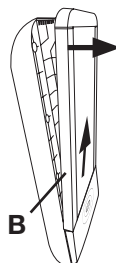
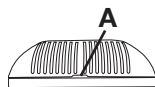
**▲ MISE EN GARDE:** Si vous souffrez d'une maladie oculaire existante, consultez un médecin avant d'utiliser ce produit.

## Retrait et remplacement de l'ampoule

Votre lampe HappyLight ne fonctionnera qu'avec l'ampoule fabriquée par Verilux. Veuillez appeler Verilux au numéro sans frais 1-800-454-4408 ou visiter <http://www.verilux.com/customer-service> pour commander une ampoule de rechange.

### Pour la remplacer :

1. Débranchez la lampe de la prise murale.
2. Retirez le couvre-objectif en insérant une pièce de monnaie ou votre doigt dans l'ouverture située au haut de la lampe, entre la lentille et le boîtier de la lampe (A).
3. Tirez doucement la lentille pour la sortir du boîtier de la lampe tout la soulevant lentement pendant que vous tirez (B). Déposez la lentille tout en l'éloignant du mouvement de votre bras.
4. Dévissez les deux vis de serrage à main bleues retenant le support noir de l'ampoule et l'ampoule (C).
5. Soulevez doucement le support noir de l'ampoule pour exposer la base de l'ampoule (D).
6. Tenez l'ampoule par sa base puis soulevez l'ampoule usagée pour la sortir et éloignez-la lentement et doucement du boîtier de la lampe tout en la soulevant (E).
7. Retirez le support noir de l'ampoule en le soulevant par dessus l'ampoule usagée.
8. Installez le support noir de l'ampoule par dessus l'ampoule neuve.
9. Insérez doucement la nouvelle ampoule dans le réceptacle où était installée l'ampoule usagée (F). Un « clic » se fera entendre vous indiquant que l'ampoule est installée correctement.
10. Abaissez le support noir de l'ampoule sur la base de l'ampoule. Réinstallez les deux vis de serrage à main bleues.
11. Installez la lentille en insérant d'abord sa base dans l'ouverture située sur la base de la lampe puis alignez le dessus avec la base de la lampe (G). Enclenchez la lentille en place.



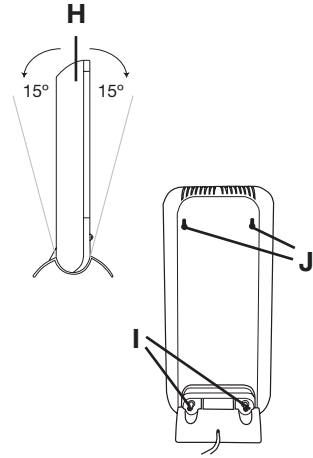
**⚠ MISE EN GARDE:** Ce produit renferme des aimants.

Gardez une distance suffisante d'environ 15,2 cm entre votre corps et la lampe si vous avez un stimulateur cardiaque, un défibrillateur cardiaque, une pompe à insuline, tout autre dispositif électromécanique ou des aimants pour la stimulation du cerveau.

## Utilisation des options d'inclinaison et de suspension murale

La lampe énergisante HappyLight de la gamme Liberty vous offre plusieurs façons de diriger la lumière là où vous le désirez tout en vous permettant une plus grande liberté de mouvement sans compromettre la qualité de la thérapie :

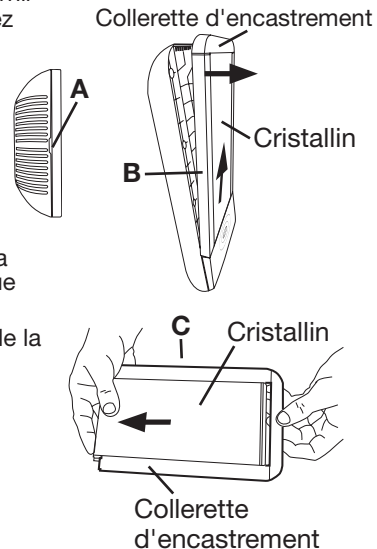
1. Votre lampe HappyLight s'incline à un angle de  $15^\circ$  vers l'avant et  $15^\circ$  vers l'arrière (H) : Dévissez simplement les deux vis de serrage à main bleues à l'arrière de la lampe (I), ajustez la position de la lampe à l'angle désiré puis serrez les vis à serrage à main.
2. Deux orifices se trouvent à l'arrière de la lampe HappyLight pour vous permettre d'y insérer deux vis de fixation (J). Percez simplement deux trous à niveau et à une distance de 9 cm (3 1/2 po) à l'endroit désiré sur le mur, y insérer les vis, suspendez-y la lampe et branchez la lampe. Installez les vis dans les montants ou utilisez des chevilles d'ancrage à vis si nécessaire.



## Changement des lentilles/remplacement de la lentille

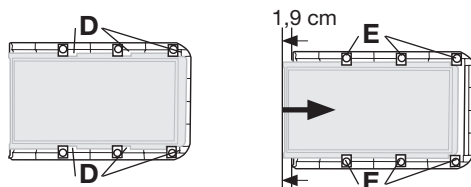
Votre lampe énergisante HappyLight de la gamme Liberty est livrée avec une lentille de confort et une lentille à haute énergie interchangeables, insérée dans une collerette d'encastrement et maintenue par des aimants au boîtier de la lampe afin de contrôler l'intensité lumineuse, réduire l'éblouissement et fournir une stimulation uniforme des vos yeux. Vous pouvez choisir ou changer les couvercles afin d'obtenir la quantité de lumière que vous désirez pour votre programme de luminothérapie :

1. Retirez la lentille en insérant une pièce de monnaie ou votre doigt dans l'ouverture située entre la collerette d'encastrement de la lentille et le boîtier de la lampe (A).
2. Tirez doucement la lentille et la collerette d'encastrement en les éloignant du boîtier de la lampe tout les soulevant lentement pendant que vous tirez (B).
3. Tenez la collerette d'encastrement au-dessus de la lampe puis retirez la lentille (C).



## Changement des lentilles/remplacement de la lentille - suite

- Pour installer l'autre lentille, travaillez sous la collerette d'encastrement et de la lentille. Alignez les six échancrures de la lentille (D) avec les six pinces aimantées (E). Abaissez la lentille et glissez-la dans sa position.



**▲ MISE EN GARDE:** Ce produit renferme des aimants. Gardez une distance suffisante d'environ 15,2 cm entre votre corps et la lampe si vous avez un stimulateur cardiaque, un défibrillateur cardiaque, une pompe à insuline, tout autre dispositif électromécanique ou des aimants pour la stimulation du cerveau.

Vos lentilles jauniront avec le temps et vous devez les remplacer annuellement. Commandez vos lentilles en ligne sur le site [www.verilux.com](http://www.verilux.com) ou appelez le Service à la clientèle de Verilux au 1-800-786-6850.

### Gardez vos séances de thérapie bien illuminées.

Pour une performance optimale, remplacez l'ampoule et les lentilles chaque année.

Votre lampe d'énergie est conçue pour vous fournir l'éclairage nécessaire pour votre luminothérapie, ce qui comprend le filtrage de la lumière pour réduire l'éblouissement et bloquer les rayons ultra-violet (UV) indésirables. L'utilisation pendant une saison complète réduira l'intensité lumineuse de l'ampoule, et les rayons UV jauniront les filtres et compromettent leur performance. Pour rééquilibrer votre ampoule et pour rétablir sa performance optimale, remplacez l'ampoule et les lentilles chaque année.\*

Commandez ces pièces et d'autres produits et accessoires Verilux à [www.verilux.com](http://www.verilux.com).

Pièce	Numéro du produit	Prix
Ampoule	CFML36VLX	24,95 \$
Paquet d'ampoule avec deux lentilles	VT20LSP	38,95 \$

\*En plus de remplacer l'ampoule, ayez un rechange à portée de main pour vous assurer de pouvoir continuer à améliorer votre humeur et votre énergie sans interruption.



## Soins et nettoyage

Votre lampe est fabriquée avec des matériaux de grande qualité et durera plusieurs années avec un entretien minime. Vous devez nettoyer périodiquement votre lampe en utilisant un nettoyant doux non abrasif et un chiffon doux. Au moment du nettoyage, assurez-vous que la lampe est éteinte et débranchée et que l'appareil est suffisamment refroidi.

**▲ MISE EN GARDE :** Au moment du nettoyage, assurez-vous que la lampe est éteinte et débranchée et que l'appareil ait suffisamment refroidi pour prévenir le risque de décharge électrique ou de blessures.

**▲ ATTENTION :** N'utilisez qu'un chiffon doux pour nettoyer la lampe et n'utilisez pas de solvants ou de nettoyants abrasifs ou contenant de l'ammoniaque.

**▲ ATTENTION :** Dès que vous avez terminé le nettoyage de la lampe, essuyez toute trace d'humidité et laissez sécher complètement la lampe avant de la rallumer.

## Dépannage

Avant de faire une demande de réparation de votre lampe Verilux, veuillez :

- Vous assurer que toutes les fiches, prises et tous les cordons sont tous branchés correctement et fermement.
- Vous assurer que l'ampoule est bien installée dans la douille. (Voir pages 8 et 9.)
- Vous assurer que la prise murale fonctionne, sinon essayez de brancher la lampe dans une autre prise murale sans gradateur de lumière.

Edit#: 002	Title: VT20 Manual Trim to A5
Date: 09/06/17	Version: Rev20

Problème	VÉRIFIER	SOLUTION
La lampe ne s'allume pas	Est-ce que l'ampoule est bien fixée?	Branchez la fiche correctement dans la prise murale.
	Est-ce que l'ampoule est usée?	Recherchez les traces de noircissement au bas de la spirale, là où elle rejoint la base (un indice de la durée d'utilisation de l'ampoule), et remplacez l'ampoule.
	Est-ce que l'ampoule est fixée correctement dans la douille?	Assurez-vous que l'ampoule est insérée correctement dans la douille. Répétez la procédure d'installation de l'ampoule. <b>⚠ATTENTION: DÉBRANCHEZ LA LAMPE DE LA PRISE MURALE AVANT DE RÉPÉTER LA PROCÉDURE D'INSTALLATION DE L'AMPOULE.</b>
Noircissement aux extrémités de l'ampoule	Est-ce que l'ampoule est neuve?	Quelquefois, lorsqu'une ampoule neuve est allumée pour la première fois, le tube se noircira, mais cette coloration disparaîtra après quelques minutes.
	Est-ce que l'ampoule est usée?	Lorsque les ampoules ont été utilisées depuis longtemps, le noircissement du tube indique la fin de la durée de vie utile de l'ampoule. (Ceci ne nuit pas au fonctionnement, mais la quantité de luminosité disponible est moindre parce que le phosphore contenu dans cette zone devient inactif.) Nous recommandons le remplacement de l'ampoule.
Luminosité clignotante	Est-ce que l'ampoule est bien fixée?	Insérez correctement la fiche dans la prise murale.
	Est-ce que l'ampoule est fixée correctement dans la douille?	Assurez-vous que l'ampoule est bien installée dans la douille. Répétez la procédure d'installation de l'ampoule. <b>⚠ATTENTION: DÉBRANCHEZ LA LAMPE DE LA PRISE MURALE AVANT DE RÉPÉTER LA PROCÉDURE D'INSTALLATION DE L'AMPOULE.</b>
	Est-ce que la lampe est branchée dans une prise avec interrupteur à gradation de lumière?	Branchez uniquement la fiche de la lampe dans une prise sans interrupteur à gradation de lumière.
La lampe ne s'incline pas	Est-ce que la vis à serrage à main est vissée trop fermement?	Dévissez les deux vis à serrage à main bleues à l'arrière de la lampe et ajustez la lampe à l'angle désiré puis serrez à nouveau les deux vis à serrage à main.

## Données techniques

### Lampe énérgisante à spectre naturel HappyLight de la gamme Liberty

**Environnement :** Température de fonctionnement : 10 à 30 °C (50 à 86 °F),  
Température d'entreposage : -20 à 50 °C (-4 à 122 °F), Humidité relative : 20 à 90 %, sans condensation

**Ampoule :** Ampoule de rechange : Ampoule de 36 W, 10 000 hN'utilisez que les ampoules de rechange de marque Verilux. Appelez au 1-800-454-4408 ou visitez le site [www.verilux.com](http://www.verilux.com) pour obtenir une ampoule de rechange de marque Verilux, modèle no CFML36VLX.

**Alimentation électrique :** Puissance d'entrée : 120 VCA, 60 Hz, 0,50 A

**Répertorié ETL au Canada et aux É.-U.**

## Garantie limitée d'un (1) an

**ATTENTION!** UNE FOIS L'EMBALLAGE OUVERT, SI UNE RÉPARATION OU UN REMPLACEMENT EST NÉCESSAIRE, **NE PAS** RETOURNER CE PRODUIT AU MAGASIN OÙ VOUS L'AVEZ ACHETÉ.

Vous trouverez de nombreuses réponses à vos questions sur le site [www.verilux.com](http://www.verilux.com) ou en appelant notre Service à la clientèle au 800-786-6850 pendant la période normale d'heures d'ouverture.

Cette garantie limitée est offerte par Verilux, inc., 340 Mad River Park, Waitsfield, VT 05673

Verilux garantit que ce produit ne comporte aucun défaut matériel ou de fabrication pendant un an à compter de la date d'achat originale auprès de Verilux ou d'un revendeur Verilux agréé. **Une preuve d'achat est exigée pour toute réclamation de garantie.** Au cours de la période de garantie limitée, Verilux, inc., à sa discrétion, réparera ou remplacera les pièces défectueuses de ce produit, sans frais pour le client et sous réserve des conditions suivantes : la garantie ne couvre pas les frais postaux, le transport, la manutention, l'assurance ou les frais de livraison. Cette garantie ne couvre aucun dommage, défectuosité ou défaut découlant ou résultant d'un accident, d'une destruction externe, d'un changement, d'une modification, d'un abus ou d'un usage impropre de ce produit.

La garantie ne couvre pas les dommages causés pendant l'expédition ou la manutention du produit. Il est recommandé de souscrire une assurance expédition afin de protéger votre produit.

**Une autorisation de renvoi est requise avant tout retour de produit.** Afin d'obtenir cette autorisation, veuillez appeler le Service à la clientèle de Verilux au 1-800-786-6850.

Si, dans l'année qui suit votre achat, le produit ne fonctionne pas correctement, celui-ci doit être retourné suivant les instructions du site [www.verilux.com/warrantyreplacement](http://www.verilux.com/warrantyreplacement) ou selon la procédure communiquée par l'agent du Service à la clientèle de Verilux au 1-800-786-6850.

**Remarque :** *Verilux recommande d'utiliser un parasurtenseur de qualité avec tous les équipements électroniques. Les fluctuations de tension et les surtensions peuvent endommager les composants électroniques d'un système. Un parasurtenseur de qualité peut prévenir la plupart des défectuosités causées par les surtensions. Les parasurtenseurs peuvent être achetés dans les magasins d'appareils électroniques.*

En raison de constantes améliorations, le produit acheté peut différer légèrement de celui présenté dans ce manuel.

**Veuillez visiter notre site internet à l'adresse : [www.verilux.com](http://www.verilux.com) ou appelez le service à la clientèle au**

**1-800-786-6850**

Nos représentants sont disponibles du lundi au vendredi, de 9 h à 17 h, HNE

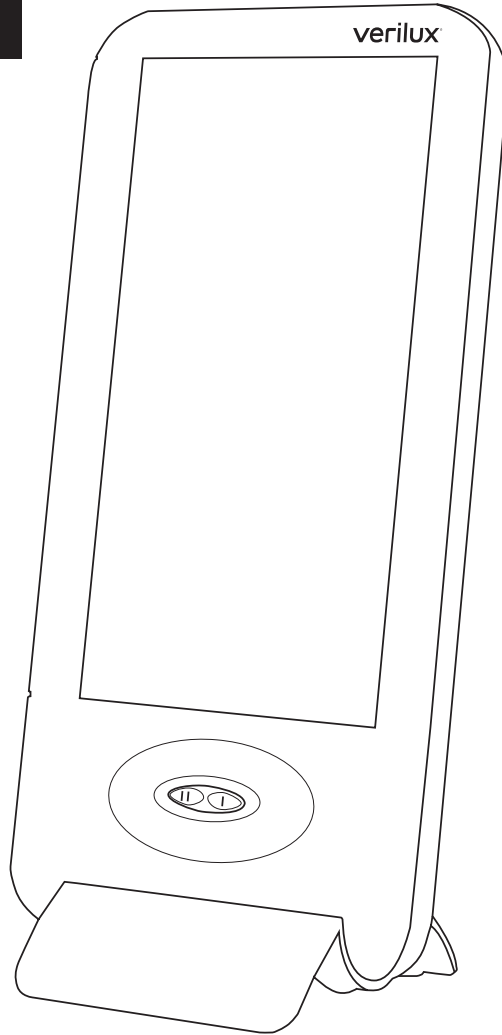
**verilux®**

340 Mad River Park, Waitsfield, VT 05673

Edit#: 002	Title: VT20 Manual Trim to A5
Date: 09/06/17	Version: Rev20



**verilux**<sup>®</sup>



# HappyLight<sup>®</sup> | Liberty<sup>™</sup> 10K

Lámpara Espectro Natural

**Modelo: VT20**

Edit#: 002	Title: VT20 Manual Trim to A5
Date: 09/06/17	Version: Rev20

# verilux®

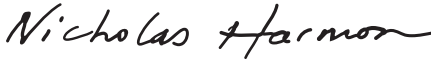
Destimado cliente,

Gracias por comprar la Verilux lámpara de espectro natural HappyLight serie Liberty. Ahora usted cuenta con un producto innovador, fabricado según los más altos estándares y respaldado por una garantía limitada de un año.

Se encuentran disponibles muchos otros productos de abastecimiento de iluminación saludable a través de nuestro catálogo o en línea. Visite nuestro sitio web en [www.verilux.com](http://www.verilux.com) para obtener más información sobre todos nuestros productos de calidad Verilux o llámenos de forma gratuita al 1-800-786-6850.

Como cliente de Verilux, su satisfacción significa mucho para nosotros. Esperamos poder servirle ahora y en el futuro.

¡Qué tenga un excelente día!



Nicholas Harmon  
Oficial de la felicidad del presidente y del jefe  
Verilux, Inc.

## Índice

Medidas de seguridad importantes .....	3
Características .....	4
Beneficios .....	5
Prueba preliminar del dispositivo .....	5
Funcionamiento. ....	6
Seleccionar una ubicación .....	6
Instrucciones de uso .....	6
Programa recomendado .....	6
Extracción y reemplazo de la bombilla .....	7
Uso de las opciones para inclinar y colgar en la pared .....	8
Cambio de la lente/reemplazo de la lente .....	9
Cuidado y limpieza .....	10
Solución de problemas .....	11
Especificaciones técnicas .....	11
Garantía .....	12

## LEA TODAS LAS INSTRUCCIONES ANTES DE USAR EL PRODUCTO

### Medidas de seguridad importantes

#### ⚠ PELIGRO:

- Para evitar la electrocución, no haga funcionar este dispositivo cerca del agua.

#### ⚠ ADVERTENCIA:

- No use este dispositivo con voltaje de fuente de alimentación que no sea de 120 V CA.
- No eluda el propósito de seguridad del enchufe polarizado. El enchufe polarizado tiene dos álabes, uno más ancho que el otro. El álabes más ancho está para su seguridad. Si el enchufe provisto no encaja en su tomacorriente, consulte a un electricista para que reemplace el tomacorriente obsoleto.
- Se recomienda supervisar su uso de cerca cuando estas lámparas sean utilizadas por niños o cerca de niños, o por otras personas que no comprendan la necesidad de estas precauciones.
- **Peligro de asfixia:** Esta lámpara contiene piezas pequeñas. Se recomienda supervisar su uso de cerca cuando sea utilizada por niños o cerca de niños.
- No haga funcionar la lámpara cerca de vapores inflamables o combustibles, como productos de aerosol, o donde se aplique oxígeno.
- Para prevenir el riesgo de choque eléctrico o heridas personales cuando se limpie la lámpara, asegúrese de apagarla y desenchufarla, y deje enfriar la bombilla.
- No bloquee los orificios de ventilación. Los orificios de ventilación son necesarios para que la lámpara funcione correctamente. Bloquearlos podría sobrecalentar la lámpara.
- No acorte o corte el cable de alimentación.
- Siempre desenchufe la lámpara antes de reemplazar la bombilla o antes de la instalación y deje enfriar la bombilla.
- ¡Las bombillas de luz se calientan rápidamente! No toque la bombilla mientras la lámpara esté encendida.
- Esta bombilla contiene una cantidad traza de mercurio. Para un manejo seguro, limpieza, eliminación y reciclaje de acuerdo con las leyes aplicables en los Estados Unidos, consulte [www.epa.gov/cfl](http://www.epa.gov/cfl) y en Canadá, visite [www.ec.gc.ca/mercure-mercury/](http://www.ec.gc.ca/mercure-mercury/) y [www.lighrecycle.ca](http://www.lighrecycle.ca)
- Este producto contiene mercurio, una sustancia química conocida en el estado de California como causante de defectos de nacimiento u otros daños reproductivos.
- Algunas personas pueden experimentar sensibilidad a la luz fluorescente. Descontinúe su uso si siente molestias. Siga las instrucciones de la prueba preliminar de la página cinco antes de su uso.
- Algunos medicamentos (por ejemplo, los antidepresivos) pueden inducir sensibilidad a la luz, lo que podría causar molestias o un nivel de hiperactividad. Consulte con su proveedor de servicios de la salud antes de utilizar este producto.
- Si tiene algún problema en la vista preexistente, consulte con su proveedor de servicios de la salud antes de utilizar este producto.

#### ⚠ PRECAUCIÓN:

- Esta lámpara se utiliza únicamente en interiores.
- No ubique esta lámpara en áreas que estén expuestas a la luz solar directa o cerca de productos de radiación térmica como calentadores. No ubique la lámpara en la parte superior de aparatos que irradian temperatura.

## Medidas de seguridad importantes — continuación

### **▲ PRECAUCIÓN:** — continuación

- Proteja el cable de alimentación contra pisaduras o apretones, especialmente en los enchufes, en el tomacorriente y en el punto de salida del cable de alimentación de la lámpara.
- No haga funcionar esta lámpara si ha sido dañada de alguna manera. Por ejemplo, si el cable de alimentación o el enchufe han sido dañados, si se ha derramado líquido sobre la lámpara o si han caído objetos sobre esta, si la lámpara ha sido expuesta a la lluvia o a la humedad, si la lámpara no funciona normalmente, o si se ha caído.
- Esta lámpara puede provocar interferencia con radios, teléfonos inalámbricos, o dispositivos que utilizan controles remotos, como los televisores. Si hay interferencia, aleje la lámpara del dispositivo, enchufe la lámpara o el dispositivo en un tomacorriente diferente o mueva la lámpara de la línea directa de visión del receptor del control remoto.
- Desenchufe la lámpara durante tormentas eléctricas o cuando no se utilice durante períodos largos de tiempo.
- No ubique la lámpara en áreas con polvo o humedad, que no tengan ventilación o que estén sujetas a vibración constante.
- No desarme la lámpara, reemplace la bombilla únicamente. No contiene piezas a las que el usuario pueda dar mantenimiento.
- Esta lámpara no debe utilizarse con atenuadores de luz, temporizadores, detectores de movimiento, transformadores de voltaje o cables de extensión.
- No deje la lámpara sin atención personal durante el uso.
- NO utilice agentes lubricantes durante el armado. Por favor, consulte la sección de solución de problemas si tiene dificultades en el armado de la lámpara.
- Utilice únicamente el tipo de bombilla y vatiaje máximo indicado por Verilux®.
- No cubra la lámpara ni apoye objetos en la parte superior cuando esté funcionando.
- No utilice solventes o limpiadores que contengan abrasivos o limpiadores a base de amoníaco en este producto.
- Después de limpiar la lámpara, se debe remover y secar toda la humedad antes de volver a conectarla a la fuente de electricidad.

### GUARDE ESTAS INSTRUCCIONES

## Características

Su nueva Lámpara Happy Light Energy de Verilux es un producto extraordinario con muchas características y beneficios. Este producto:

- Ofrece luz de espectro natural Spectrum® a su hogar, oficina, dormitorio o apartamento.
- Indica a los estimulantes de energía de su propio cuerpo para que lo ayuden a recobrar el foco y la concentración.
- Tiene hasta 10 000 LUX\* de luz de espectro natural para levantar el ánimo, agudizar la concentración y mejorar los niveles de energía.
- Está diseñado en forma compacta y tiene bajo impacto, lo cual facilita la ubicación en el lugar conveniente.
- Incluye una bombilla eficiente en el consumo de iluminación fría de 36 vatios que dura 10 000 horas y provee iluminación sin intermitencia.

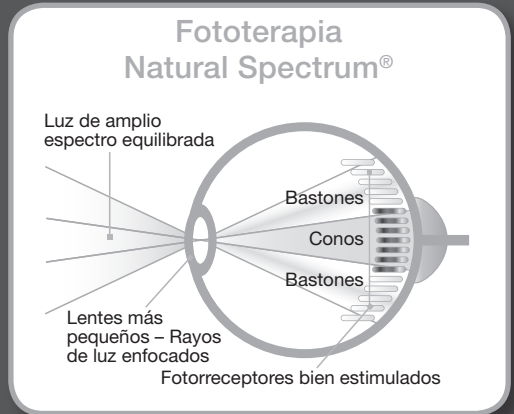
\* en el ajuste alto con lente de alta energía: 10 000 LUX (medida escotópica) de 25cm/10" desde la lámpara; 10 000 LUX (medida fotópica) de 15cm/6".



## Beneficios

La lámpara HappyLights de Verilux brinda fototerapia de amplio espectro para estimular todos los fotorreceptores del ojo: conos, bastones y la recientemente descubierta melanopsina. La lámpara HappyLight ofrece luz fotópica (que estimula principalmente los conos) y luz escotópica (que estimula principalmente los bastones) para reducir el tamaño de la pupila, relajando el ojo con una fototerapia más cómoda. La melanopsina ayuda a establecer los ciclos diarios del cuerpo y puede ser estimulada por la luz de espectro natural. Los científicos han demostrado que la fototerapia brillante puede actuar como luz de día para restaurar el equilibrio, el estado de ánimo y la energía.

Si desea obtener más información e investigar sobre la fototerapia, visite [www.verilux.com](http://www.verilux.com).



## Prueba preliminar del dispositivo

Para ayudar a determinar si tiene sensibilidad al tratamiento de fototerapia, le recomendamos que realice esta prueba preliminar sobre el primer uso de este dispositivo:

Paso 1 - prenda la lámpara y ubíquela a aproximadamente 45 cm (18 pulgadas) de su rostro. (No mire la lámpara de manera directa.)

Paso 2 - haga funcionar la lámpara durante aproximadamente 10 minutos y apáguela. Si la luz ha provocado molestias, detenga su uso y consulte a su médico. Si no tiene molestias, puede considerar disminuir la distancia de la lámpara e incrementar el tiempo de uso, lo que provocará más intensidad de la lámpara y mayor efecto. Durante sus sesiones iniciales, deberá monitorear el grado de molestias y en consecuencia ajustar el tiempo de uso y la ubicación de la lámpara.

**▲ ADVERTENCIA:** Algunas personas pueden experimentar una sensibilidad a la luz fluorescente. Descontinúe su uso si siente molestias. Antes de su uso, siga las instrucciones de la "Prueba preliminar del dispositivo", como se indica arriba.

**▲ ADVERTENCIA:** Ciertos medicamentos (por ejemplo, los antidepresivos) pueden inducir sensibilidad a la luz, lo que podría causar molestias o un nivel de hiperactividad. Consulte con su proveedor de servicios de la salud antes de utilizar este producto.

**▲ ADVERTENCIA:** Si tiene algún problema en la vista preexistente, contáctese con su proveedor de servicios de la salud antes de utilizar este producto.

# Funcionamiento

## Seleccionar una ubicación

- Ubique su lámpara de HappyLight de Verilux sobre una mesa u otra superficie llana, a la altura de los ojos o por debajo según el resultado que desee.
- Para un mejor rendimiento, ubique la lámpara HappyLight hasta a 15 cm (6 pulgadas) de distancia, pero en el radio de 60 cm (24 pulgadas) de su rostro.

**▲ADVERTENCIA:** Este producto contiene imanes. Si tiene un marcapasos, un desfibrilador implantable, una bomba de insulina, cualquier otro tipo de dispositivo electromecánico o derivaciones en el cerebro que contengan imanes, mantenga una distancia suficiente (aproximadamente 15 cm/6 pulgadas) entre el dispositivo y la lámpara.

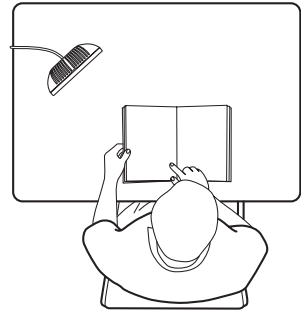
**▲ADVERTENCIA:** No bloquear los orificios de ventilación. Los orificios de ventilación son necesarios para que la lámpara funcione correctamente. Bloquearlos podría sobrecalentar la lámpara.

**▲PRECAUCIÓN:** No ubique esta lámpara en áreas que estén expuestas a la luz solar directa o cerca de productos de radiación térmica como calentadores. No ubique la lámpara en la parte superior de aparatos que irradian temperatura.

## Instrucciones de uso

El uso consiste en sentarse cerca de la lámpara de HappyLight con los ojos abiertos. Mientras permanece orientado hacia la luz, siéntase libre de hacer otras actividades como leer, escribir, seguir pasatiempos y oficios, coser, bordar, maquillarse o trabajar en la computadora o en el escritorio.

1. Prenda la lámpara y deje que la bombilla tome brillo por completo durante unos minutos.
2. La lámpara HappyLight debe estar hasta a 15 cm (6 pulgadas) de distancia pero en el radio de 60 cm (24 pulgadas) de su rostro, y debe estar ligeramente descentrada. (Ver el diagrama) *Nota: No mire a la lámpara de manera directa.*
3. Tenga en cuenta utilizar la lámpara en el ajuste alto en la mañana y en el ajuste bajo por la tarde.



La luz de la lámpara HappyLight debe dirigirse a los ojos; por tanto, los ojos deben estar abiertos para lograr el beneficio máximo. *Nota: Los cristales de color reducen la cantidad de luz que llega a los ojos.*

Cuando se sienta perezoso y aletargado, pase más tiempo con la luz, siéntese más cerca de la lámpara o ajústela para aumentar la intensidad. Si siente inseguridad o si está sobreestimulado, aleje la luz o reduzca los tiempos de la sesión.

## Programa recomendado mínimo



30 minutos  
a una  
hora por día\*

6

## Funcionamiento — continuación

Los investigadores del Instituto Nacional de la Salud demostraron que la luz blanca, en un rango de 2 500 a 10 000 LUX (una medida de intensidad lumínica), ayuda a revertir los síntomas de la melancolía invernal.

Las estrategias de exposición afectan a las personas de manera diferente. Todos tenemos diferentes reacciones a nuestro entorno. Es importante establecer una distancia y planificar lo que es cómodo para usted. Recomendamos que use la luz regularmente y aproximadamente a la misma hora cada día. No es necesario sentarse frente a la lámpara continuamente. Puede dividir el tiempo en varias minisiciones. Continúe usando la lámpara HappyLight a diario para sentir una mejora en su estado de ánimo y en el nivel de actividades.

Cuando se sienta perezoso y aletargado, pase más tiempo con la luz o siéntese más cerca. Si siente una especie de sobreestimulación, como si hubiera consumido demasiado café, puede ser momento de apagar la unidad.

\* El tiempo de exposición recomendado es una función de la potencia y la distancia. Los resultados individuales pueden variar. Remítase también a las advertencias que se indican a continuación.

**▲ ADVERTENCIA:** Algunas personas pueden experimentar una sensibilidad a la luz fluorescente. Descontinúe su uso si siente molestias. Siga las instrucciones de la evaluación previa de la página cinco antes de su uso.

**▲ ADVERTENCIA:** Ciertos medicamentos (por ejemplo, los antidepresivos) pueden inducir sensibilidad a la luz, lo que podría causar molestias o un nivel de hiperactividad. Consulte con su proveedor de servicios de la salud antes de utilizar este producto.

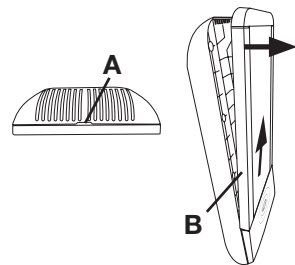
**▲ ADVERTENCIA:** Si tiene algún problema en la vista preexistente, contáctese con su proveedor de servicios de la salud antes de utilizar este producto.

## Extracción y reemplazo de la bombilla

Su lámpara HappyLight utiliza una bombilla fabricada únicamente por Verilux. Para pedir una bombilla de reemplazo, llame a la línea directa de Verilux al 1-800-454-4408 o visite <http://www.verilux.com/customer-service>

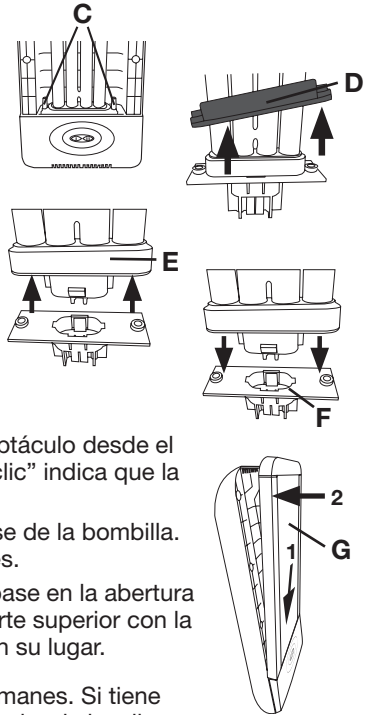
**Para reemplazar la bombilla:**

1. Desconecte la lámpara del tomacorriente de la pared.
2. Retire la tapa de la lente insertando una moneda o su dedo dentro de la abertura entre la lente y el cuerpo de la lámpara en la parte superior de la lámpara (A).
3. Tire con cuidado de la lente fuera del cuerpo de la lámpara, elevándola lentamente mientras tira (B). Aparte la lente a un lugar donde no se dañe.



## Extracción y reemplazo de la bombilla — continuación

- Desatornille los dos tornillos a presión azules que sostienen al soporte negro de la bombilla y a la bombilla (C).
- Tire hacia arriba suavemente del soporte negro de la bombilla para exponer la base de la bombilla (D).
- Sosteniendo la bombilla de la base, eleve suavemente la vieja bombilla hacia afuera, tirando lentamente hacia afuera del cuerpo de la lámpara a medida que la eleva (E).
- Retire el soporte negro de la bombilla elevándolo sobre la parte superior de la bombilla vieja.
- Coloque el soporte negro de la bombilla sobre la parte superior de la bombilla nueva.
- Inserte suavemente la nueva bombilla en el receptáculo desde el cual extrajo la bombilla vieja (F). Un sonido de “clic” indica que la bombilla está correctamente instalada.
- Baje el soporte negro de la bombilla hasta la base de la bombilla. Vuelva a colocar los dos tornillos a presión azules.
- Vuelva a colocar la lente, primero insertando la base en la abertura de la base de la lámpara y luego alineando la parte superior con la parte superior de la base (G). Encastre la lente en su lugar.

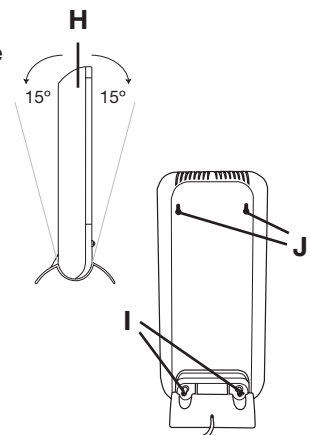


**▲ ADVERTENCIA:** Este producto contiene imanes. Si tiene un marcapasos, un desfibrilador implantable, una bomba de insulina, cualquier otro tipo de dispositivo electromecánico o derivaciones en el cerebro que contengan imanes, mantenga una distancia suficiente (aproximadamente 15 cm/6 pulgadas) entre el dispositivo implantado y la lámpara.

## Uso de las opciones para inclinar y colgar en la pared

La lámpara de energía de la serie Liberty de HappyLight ofrece varias formas de dirigir la luz donde lo desea, de manera que pueda tener más libertad de movimiento sin comprometer la calidad de la terapia:

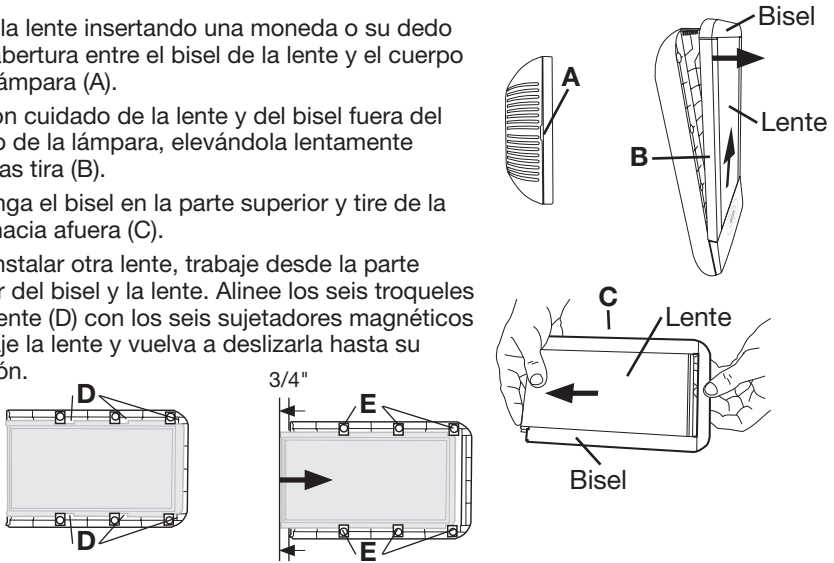
- La lámpara HappyLight posee un rango de inclinación de 15° hacia adelante y de 15° hacia atrás (H): Solo afloje los dos tornillos a presión azules en la parte superior de la lámpara (I), ajuste la lámpara a la posición que desea y vuelva a ajustar los tornillos a presión.
- Para colgar en la pared, la parte trasera de la lámpara HappyLight posee dos aberturas diseñadas para recibir cabezas de tornillos (J). Retire la base desatornillando los dos tornillos a presión azules de la parte trasera de la unidad. Guarde la base y los tornillos a presión. Taladre dos orificios, nivele y separe a 9 cm (3½ pulg.) en la ubicación que desea, instale los tornillos, cuelgue la lámpara y conéctela. Instale los tornillos en los pasadores o utilice anclajes de tornillos si es necesario.



## Cambio de la lente/Reemplazo de la lente

La lámpara de energía de la serie Liberty de HappyLight viene con una cómoda lente de alta energía intercambiable insertada en un bisel y sostenida con imanes en el cuerpo de la lámpara, que regula la intensidad de la luz, reduce el resplandor y ofrece una estimulación uniforme para los ojos. Puede elegir (o cambiar) las tapas para obtener la cantidad de luz que desea para su programa de fototerapia:

1. Retire la lente insertando una moneda o su dedo en la abertura entre el bisel de la lente y el cuerpo de la lámpara (A).
2. Tire con cuidado de la lente y del bisel fuera del cuerpo de la lámpara, elevándola lentamente mientras tira (B).
3. Sostenga el bisel en la parte superior y tire de la lente hacia afuera (C).
4. Para instalar otra lente, trabaje desde la parte inferior del bisel y la lente. Alinee los seis troqueles de la lente (D) con los seis sujetadores magnéticos (E). Baje la lente y vuelva a deslizarla hasta su posición.



**⚠ ADVERTENCIA:** Este producto contiene imanes. Si tiene un marcapasos, un desfibrilador implantable, una bomba de insulina, cualquier otro tipo de dispositivo electromecánico o derivaciones en el cerebro que contengan imanes, mantenga una distancia suficiente (aproximadamente 15 cm/6 pulgadas) entre el dispositivo y la lámpara.

La lente se tornará amarilla con el paso del tiempo y deberá reemplazarla anualmente. Comuníquese con el servicio de atención al cliente de Verilux llamando al 1-800-786-6850 o haga su pedido en línea en [www.verilux.com](http://www.verilux.com).

**Logre que sus sesiones de terapia sean claras, no borrosas.  
Para un rendimiento máximo, reemplace la bombilla y las lentes  
de la lámpara todos los años.**

La lámpara de bajo consumo está diseñada para ofrecer la iluminación adecuada para su fototerapia, y eso incluye filtrar la luz para reducir el resplandor y bloquear los rayos ultravioleta (UV) no deseados. El uso durante una temporada completa reducirá la salida de luz de la bombilla, y los rayos UV tornarán amarillos a los filtros y comprometerán sus rendimientos. Para volver a equilibrar la lámpara y restaurarla a su rendimiento óptimo, reemplace la bombilla y las lentes todos los años.\*

Solicite estas piezas y otros productos y accesorios de Verilux en [www.verilux.com](http://www.verilux.com)

Pieza	Número de producto	Precio
Bombilla	CFML36VLX	24.95
Paquete combinado de bombilla/dos lentes	VT20LSP	38.95

\* Además de reemplazar la bombilla, tenga un repuesto a mano para asegurarse de seguir mejorando el rendimiento y la energía sin interrupción.

## Cuidado y limpieza

Su lámpara está fabricada con materiales de alta calidad que durarán muchos años con el cuidado mínimo. Si desea limpiar la lámpara periódicamente, utilice un limpiador suave no abrasivo y un paño suave. Cuando limpie, asegúrese de haber apagado y desenchufado la unidad y de haberla dejado enfriar.

**▲ADVERTENCIA:** Para prevenir el riesgo de choque eléctrico o de heridas personales cuando esté limpiando la lámpara, asegúrese de haber apagado y desenchufado la lámpara y de haber dejado enfriar la bombilla.

**▲PRECAUCIÓN:** Limpie únicamente con paño suave y seco; no utilice solventes o limpiadores que contengan abrasivos o amoníaco.

**▲PRECAUCIÓN:** Después de limpiar la lámpara, remueva la humedad y deje secar la lámpara completamente antes de volver a conectarla a la fuente de electricidad.

## Solución de problemas

Antes de comunicarse con el servicio técnico en relación con su lámpara Verilux haga lo siguiente:

- Asegúrese de que todos los conectores, cables y enchufes de electricidad estén completamente insertados y firmes.
- Asegúrese de que la bombilla esté firmemente colocada en el portalámpara. (Consulte la página 8.)
- Asegúrese de que llegue energía al tomacorriente de pared, o intente con otro tomacorriente.

PROBLEMA	CONTROL	SOLUCIÓN
La luz no se enciende	¿Se ha aflojado el enchufe?	Inserte el enchufe firmemente en el tomacorriente de pared.
	¿La bombilla es vieja?	Controle la presencia de ennegrecimiento/oscurcimiento de la bombilla en la parte inferior del espiral donde se une a la base (un indicador de la vida útil de la bombilla) y reemplace la bombilla.
	¿Está la bombilla conectada firmemente al portalámpara?	Asegúrese de que la bombilla esté firmemente colocada en el portalámpara. Repita el proceso de instalación de la bombilla. <b>⚠PRECAUCIÓN:</b> Desconecte la lámpara del tomacorriente antes de repetir el proceso de instalación de la bombilla.
Ennegrecimiento/oscurcimiento en los extremos de la bombilla	¿La bombilla es nueva?	Algunas veces al encender una bombilla por primera vez el tubo se oscurece, pero este oscurecimiento desaparece en unos pocos minutos.
	¿La bombilla es vieja?	Con las bombillas más viejas, el oscurecimiento del tubo indica el final de la vida útil de la bombilla. (Esto no afecta el funcionamiento pero si reduce la cantidad de luz disponible, ya que el fósforo presente en esa área se ha vuelto inactivo). Se recomienda el reemplazo de la bombilla.
La luz parpadea	¿Se ha aflojado el enchufe?	Inserte el enchufe firmemente en el tomacorriente de pared.
	¿Está la bombilla conectada firmemente al portalámpara?	Asegúrese de que la bombilla esté firmemente colocada en el portalámpara. Repita el proceso de instalación de la bombilla. <b>⚠PRECAUCIÓN:</b> Desconecte la lámpara del tomacorriente antes de repetir el proceso de instalación de la bombilla.
	¿Está la lámpara conectada a un regulador de intensidad?	Conecte el enchufe de la lámpara solamente a un tomacorriente de pared sin regulador de intensidad.
La luz no se inclina.	¿Los tornillos a presión están demasiado ajustados?	Afloje los dos tornillos a presión azules en la parte trasera de la unidad, ajuste la lámpara al ángulo deseado y vuelva a ajustar los dos tornillos a presión.

## Especificaciones técnicas

### Lámpara de espectro natural HappyLight serie Liberty

**Medioambiente:** Temperatura de funcionamiento: 10 a 30 °C (50 a 86 °F). Temperatura de almacenamiento: -20 a 50 °C (-4 a 122 °F). Humedad relativa: 20 a 90 % sin condensación

**Bombilla:** Bombilla de reemplazo: bombilla de 36 vatios, 10 000 horas. Reemplace la bombilla con marca Verilux únicamente, número de modelo CFML36VLX, llamando al 1-800-454-4408 o visitando [www.verilux.com](http://www.verilux.com)

**Alimentación:** Entrada de alimentación: 120 V CA, 60 Hz, 0,5 A

**Homologada por ETL en Canadá y EE. UU.**

## Garantía limitada de 1 año

**ATENCIÓN:** UNA VEZ ABIERTO, NO DEVUELVA ESTE PRODUCTO A LA TIENDA DONDE FUE COMPRADO PARA SU REPARACIÓN O REEMPLAZO.

Puede obtener respuestas a muchas preguntas en [www.verilux.com](http://www.verilux.com), o puede llamar a nuestro Departamento de Servicio al Cliente al 800-786-6850 durante el horario de atención normal.

Esta garantía limitada es proporcionada por: Verilux, Inc., 340 Mad River Park, Waitsfield, VT 05673

Verilux garantiza que este producto estará libre de defectos de material y mano de obra por un período de 1 año a partir de la fecha de compra minorista original a Verilux o un distribuidor autorizado de Verilux. Se exigirá un comprobante de pago para todos los reclamos relacionados con la garantía. Durante el período de garantía limitada, Verilux Inc., reparará o reemplazará, según su criterio, las partes defectuosas de este producto, sin costo alguno para el comprador, sujeto a las siguientes limitaciones: Esta garantía limitada no incluye franqueo, flete, manipulación, seguro ni cargos de envío. Esta garantía no cubre daños, defectos ni fallas causados o debidos a accidente, destrucción externa, alteración, modificación, maltrato, uso indebido o aplicación incorrecta de este producto.

Esta garantía no cubre daño al producto causado por el envío o la manipulación relacionados con la devolución. Verilux recomienda adquirir un seguro de envío para proteger su inversión.

**Se requiere una autorización de devolución para todas las devoluciones.** Para obtener una autorización de devolución, comuníquese con el Departamento de Servicio al Cliente de Verilux llamando al 800-786-6850.

Si, durante el primer año de propiedad, este producto deja de funcionar correctamente, debe ser devuelto según se especifica en [www.verilux.com/warrantyreplacement](http://www.verilux.com/warrantyreplacement) o según las indicaciones de un representante del servicio al cliente de Verilux llamando al 800-786-6850.

**Nota:** Verilux recomienda el uso de un supresor de sobretensión de calidad en todos los equipos electrónicos. Las variaciones y picos de voltaje pueden dañar los componentes electrónicos en cualquier sistema. Un supresor de calidad puede eliminar la amplia mayoría de fallas atribuidas a las subidas de tensión y puede comprarse en las tiendas de productos electrónicos.

Debido a las constantes mejoras, el producto real puede presentar leves variaciones con respecto a las descritas en este manual.

Visite nuestro sitio web en: [www.verilux.com](http://www.verilux.com) o llame al

**1-800-786-6850**

Los representantes se encuentran disponibles de lunes a viernes,  
de 9:00 a.m a 5:00 p.m., hora del este.

**verilux®**

340 Mad River Park, Waitsfield, VT 05673